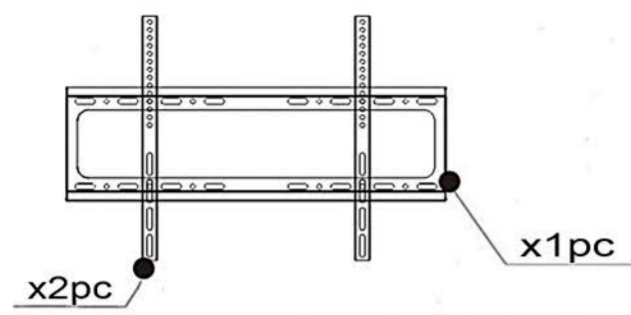


# Model:750E



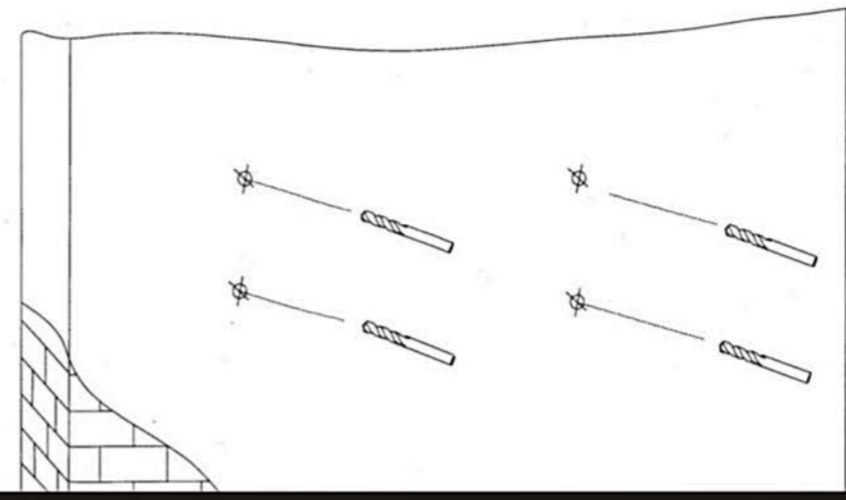
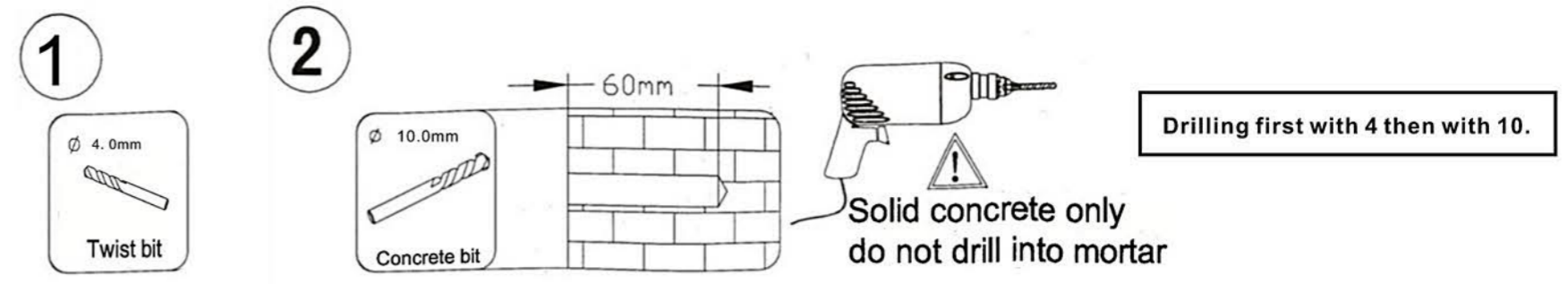
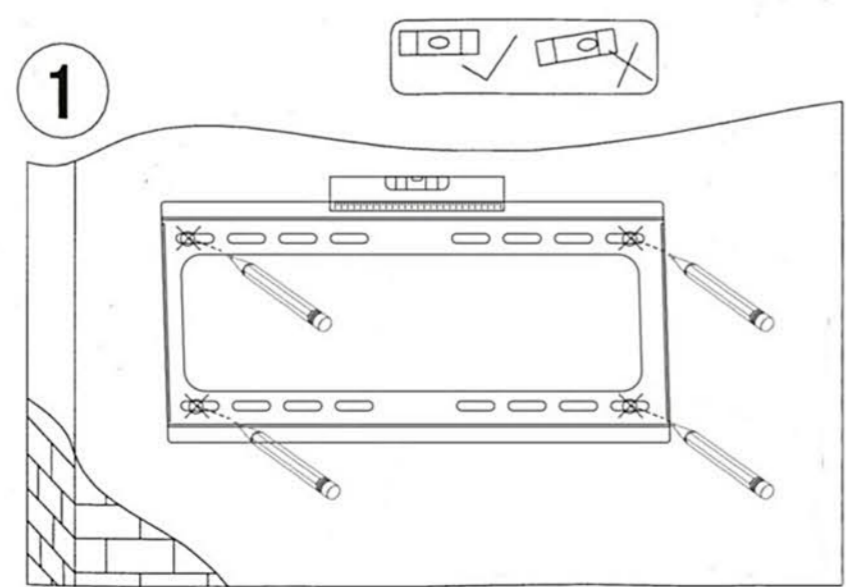
## Hardware List

Ⓐ ×4 Unidades ST6×50mm	Ⓑ ×4 Unidades Ø10×Ø6×50mm	Ⓒ ×4 Unidades Ø12×6.5×1.0mm	Ⓓ ×4 Unidades Ø12×6.5×1.0mm	Ⓔ ×4 Unidades Ø16×8.5×15mm
Ⓕ x4PCS M4x30mm	Ⓖ x4PCS M5x30mm	Ⓗ x4PCS M6x30mm	Ⓘ x4PCS M8x30mm	Ⓚ x2PCS M6x35mm

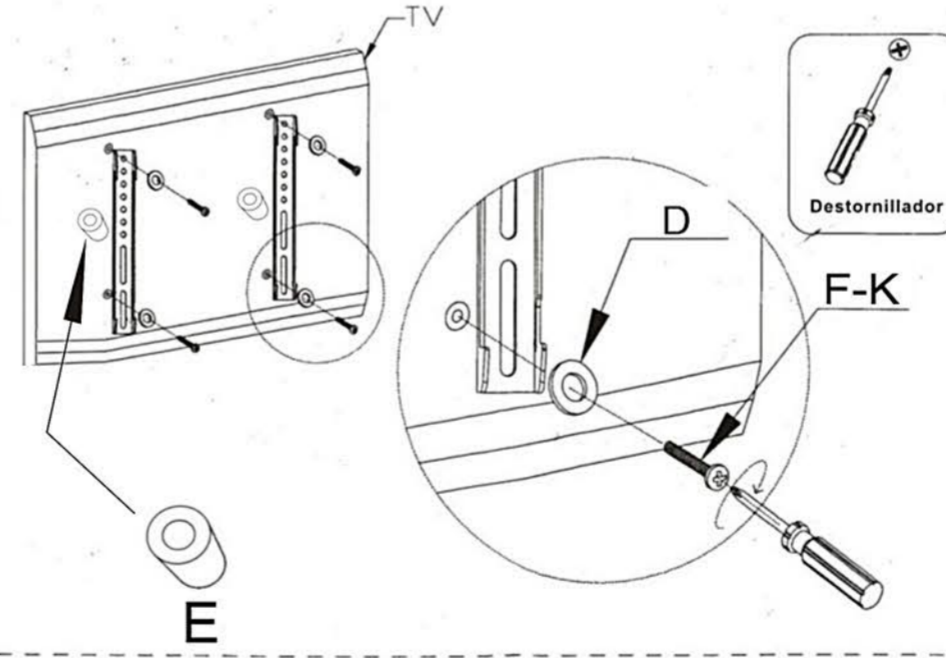
### Herramientas necesarias

Lápiz	Destornillador	Hammer	Electric drill	Cinta métrica
Ø 10.0mm	Ø 4.0mm			
Concrete bit	Twist bit	Level		

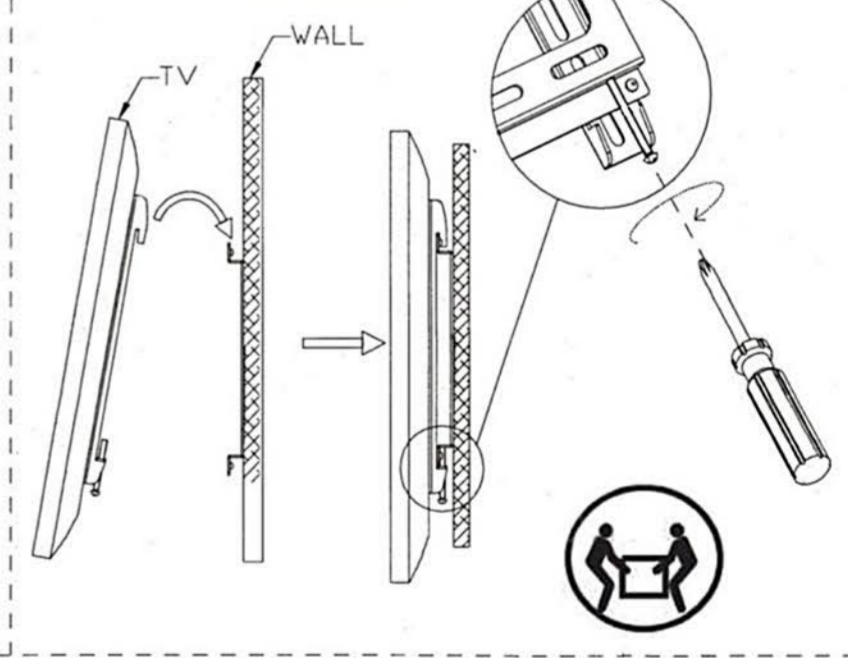
### Step-1 Mounting the wall plate:



### Step-2 Mounting TV brackets to a television with a flat back



### Step-3 Attaching TV to wall plate and adding safety screw.



OK →

